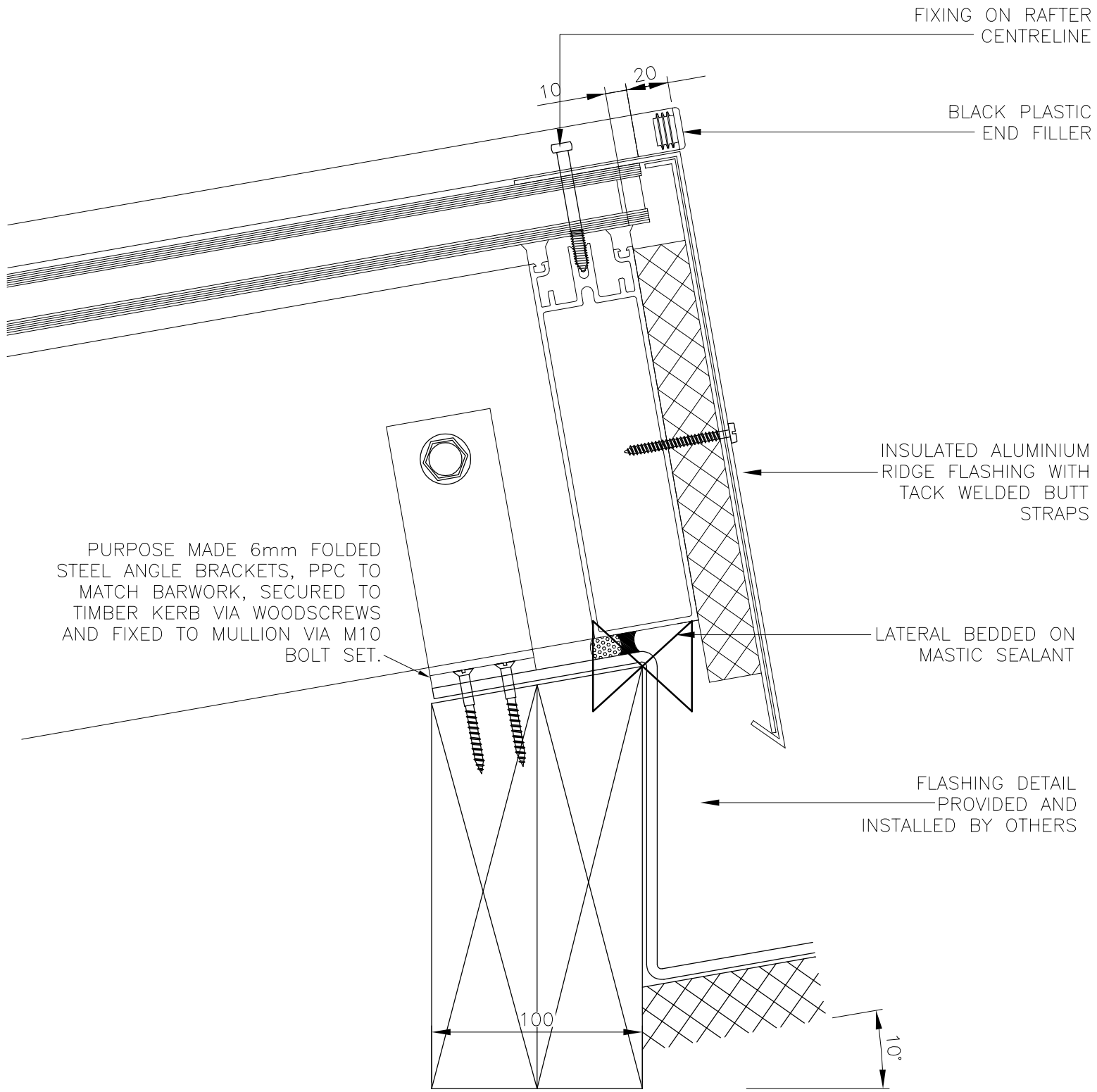


19

AL/104 MONOPITCH RIDGE DETAIL



FIXING ON RAFTER
CENTRELINE

BLACK PLASTIC
END FILLER

INSULATED ALUMINIUM
RIDGE FLASHING WITH
TACK WELDED BUTT
STRAPS

LATERAL BEDDED ON
MASTIC SEALANT

FLASHING DETAIL
PROVIDED AND
INSTALLED BY OTHERS

PURPOSE MADE 6mm FOLDED
STEEL ANGLE BRACKETS, PPC TO
MATCH BARWORK, SECURED TO
TIMBER KERB VIA WOODSCREWS
AND FIXED TO MULLION VIA M10
BOLT SET.

10 20

100

10°